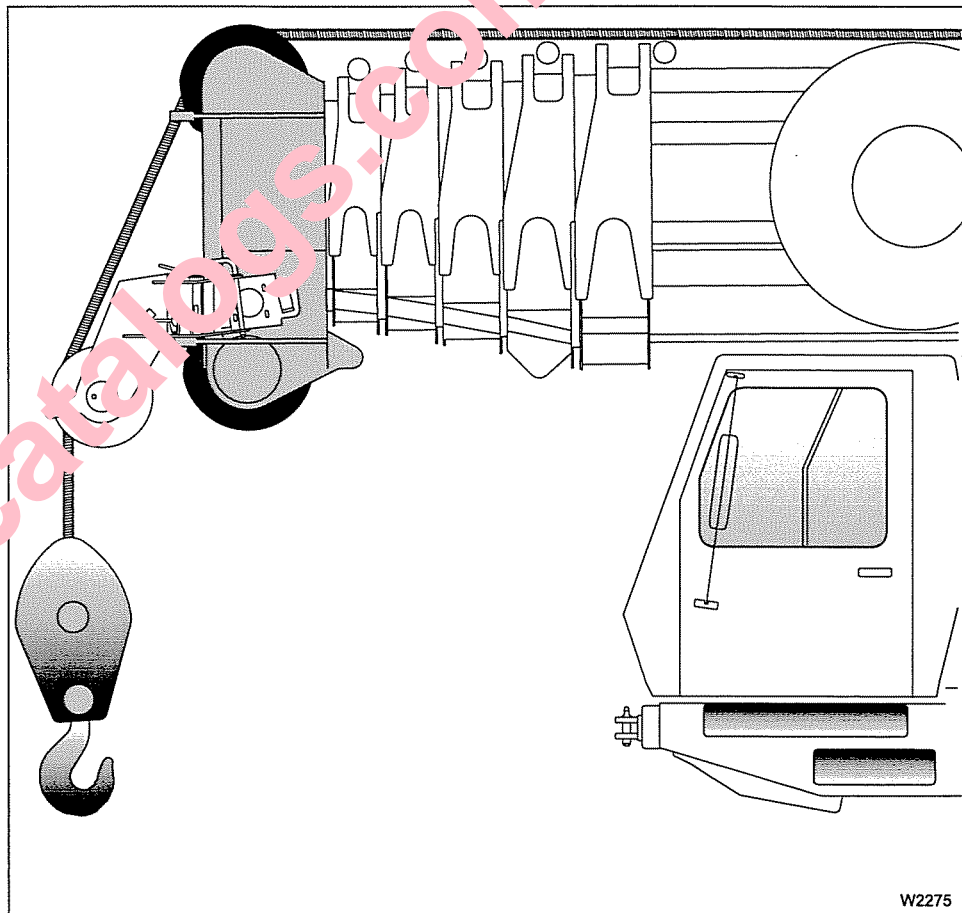


Operating instructions

Auxiliary single-sheave boom top

GMK 5180
GMK 6200-1



17.08.2000
(18.01.2000)

2 084 544 en

Important note

Duplications of any kind and excerpts from this document are not subject to the alterations service. Original documents of Deutsche GROVE GmbH are marked with the blue serial number of the truck crane on the cover page.

Duplications and print-outs of data carriers on which Deutsche GROVE GmbH has delivered this document are also not subject to the alterations service.

epcatalogs.com

© Copyright reserved by **Deutsche GROVE GmbH**

The passing on or duplication of this document as well as the use and disclosure of its contents are prohibited unless expressly permitted. Offenders will be liable for damages. All rights pertaining to registration of patent or utility model are reserved.

1	Auxiliary single-sheave boom top for GMK 5180 / 6200-1	1- 1
1.1	Important information concerning these operating instructions	1- 1
	Validity of these operating instructions	1- 1
	Prerequisites for assembly and operation	1- 1
	General safety instructions	1- 1
1.2	Identification of the auxiliary single-sheave boom top	1- 2
1.3	Installing/removing auxiliary single-sheave boom top	1- 3
	Installing boom top	1- 3
	Removing the auxiliary single-sheave boom top	1- 4
	Transport	1- 4
1.4	Installing the auxiliary single-sheave boom top	1- 5
	Installation for transport	1- 5
	Installation for working position	1- 6
1.5	Reeving the hoist cable	1- 7
	Installing the hoist cable	1- 7
	Reeving options on the auxiliary single-sheave boom top	1- 7
1.6	Connecting the anchor-to-bracket-switch and anemometer	1- 8
	Connecting the anchor-to-bracket-switch	1- 8
	Disconnecting the anchor-to-bracket-switch	1- 8
	Connecting the anemometer	1- 8
1.7	Operation with the auxiliary single-sheave boom top	1- 9
	SLI deactivation	1- 9
	What to do if the permissible wind speed has been exceeded	1- 9
1.7.1	Turning loads	1- 10
	Prerequisites	1- 10
	Setting the SLI	1- 11
	Turning the load	1- 12
1.8	Technical data	1- 14
	Dimensions and weights	1- 14

epcatalogs.com

1

Auxiliary single-sheave boom top for GMK 5180 / 6200-1

1.1

Important information concerning these operating instructions

Validity of these operating instructions

These operating instructions are only valid for the auxiliary single-sheave boom top supplied by the German GROVE GmbH.

All details given in the supplied *operating instructions for the GMK 5180 / 6200-1* the auxiliary single-sheave boom top was delivered for by the factory, also apply for the operation of the truck crane with the auxiliary single-sheave boom top.

The operation of the auxiliary single-sheave boom top is permitted only with the standard auxiliary hoist reeved rope.

Prerequisite for assembly and operation

The auxiliary single-sheave boom top may only be operated in connection with the GROVE truck crane GMK 5180 / 6200-1, whose serial number is the same as that of the auxiliary single-sheave boom top.

For crane operation, the auxiliary single-sheave boom top is mounted in front of the main boom head. Observe the applicable national regulations for transport on public roads.

General safety instructions

When operating the GMK 5180 / 6200-1 with the auxiliary single-sheave boom top, the crane operator needs to observe the general safety instructions listed in the supplied *operating instructions of the GMK 5180 / 6200-1* in Chapter 2.

[Buy now](#)

[Grove Truck Crane GMK 5180/6200-1 Auxiliary Single-Sheave Boom Top Operating Instructions PDF](#)

[With Instant Download](#)