



MANITOU NORTH AMERICA, INC.

6401 IMPERIAL DRIVE
Waco, TX 76712-6803

NOTE: *Manitou Forklift Manuals are continually updated and subject to change without prior notice. If your Forklift Model or parts are not found in this manual, please contact your dealer or the Manitou North America Parts Department for the latest information and parts availability.*

epcatalogs.com

MVT 628 T
COMFORT LINE - E2

PARTS MANUAL
S/N: 410436 & ABOVE

For Parts Orders contact your Manitou North America Dealer or call:
Manitou North America, Parts Dept. 800-425-3727 or (254) 799-0232
Parts Dept. Fax: (254) 867-6504 Website: www.manitou-na.com

epcatalogs.com



**COSTRUZIONI INDUSTRIALI
VIA CRISTOFORO COLOMBO 2
LOC. CAVAZZONA
41013 CASTELFRANCO EMILIA
MODENA TEL. 059/959811**

**TRANSMISSION
REXROTH**

REF: 648221 09/07

MVT 628T

Comfort Line

- E2 -

**CATALOGO RICAMBI
CATALOGUE PIECES
PARTS CATALOGUE
ERSATZTEILKATALOG
CATALOGO PIEZAS**

1a DATA DI PUBBLICAZIONE
1st DAT PUBLICATION
1aFECHA DE PUBLICACION

1ère DATE D'EDITION
1st DATUM AUSGABE
09/03

DATA DI PUBBLICAZIONE
DATE D'EDITION
DATE PUBLICATION
DATUM AUSGABE
FECHA DE PUBLICACION

OSSERVAZIONI
OBSERVATION
OBSERVATION
BENERKUNG
OBSERVACIONES

09/2003

1a edizione
1ère édition
1st publication
1st ausgabe
1a publicacion

07/2004

Aggiornato
Mise à jour
Up dating
Nachtrag
Atualizacion

07/2006

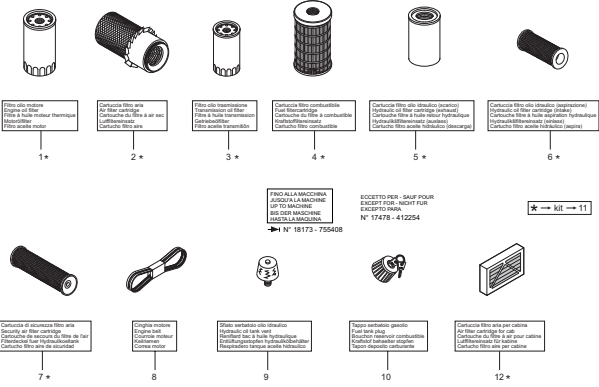
Aggiornato
Mise à jour
Up dating
Nachtrag
Atualizacion

09/2007

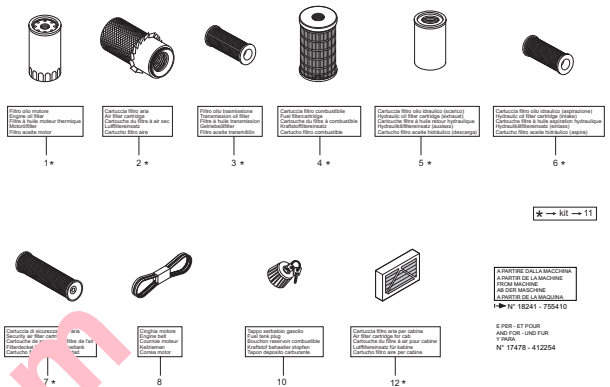
Aggiornato
Mise à jour
Up dating
Nachtrag
Atualizacion

INDEX

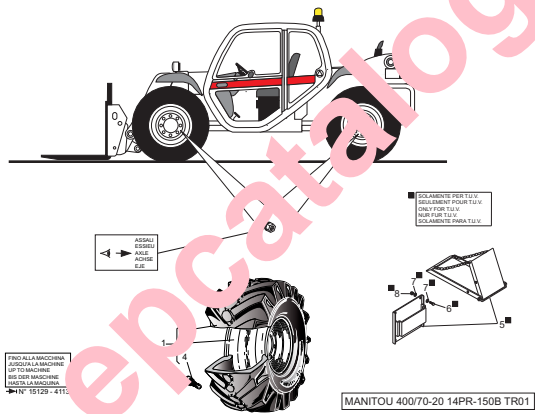
00



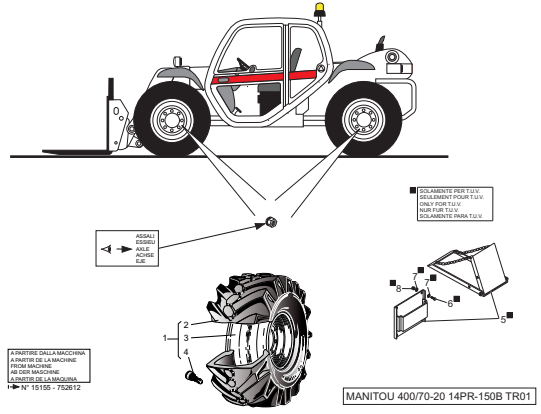
00A



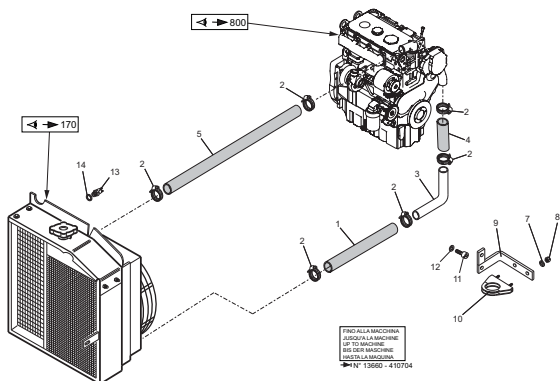
10



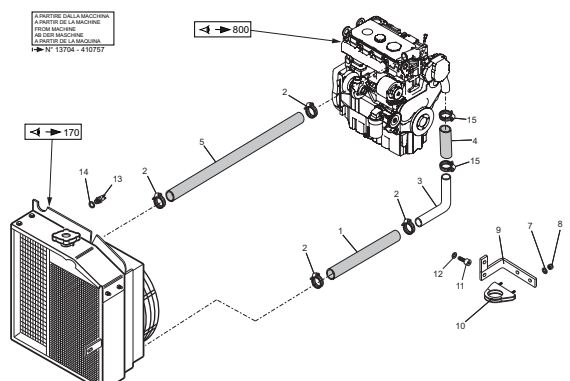
10A



20



20A



[Buy now](#)

[Manitou MVT 628 T Comfort Line Parts Manual PDF](#)

[With Instant Download](#)